

#### •GENERAL PROPERTIES

Lifespan	50000 uur
Colour Temperature	4000 k
Luminous Flux	1620 Lumen
Beam Angle	360°
LED	Round PCB

#### •ELECTRICAL PROPERTIES

Power	18 Watt
Voltage	42V AC
Operating voltage range	34 ÷ 50V
Cable gland	2 x M20
Input	IPC
Working environment	-10°C/50°C
Power Factor	0.94
CRI_Ra	86
Frequency	50Hz/60Hz

#### • PRODUCT INFORMATION

Article no. 42 Volt AC	14024215
Product name	LED Fixture Madelon
Protection rating	IP54
Impact resistant	IK10
Gewicht	< 1 Kilogram
Article no. 2x6 IPC	IPC2X6
Article no. 2x16 IPC	IPC2X16

#### •DIMENSIONS

Height	155 mm
Height with IPC	195 mm
Diameter	125 mm

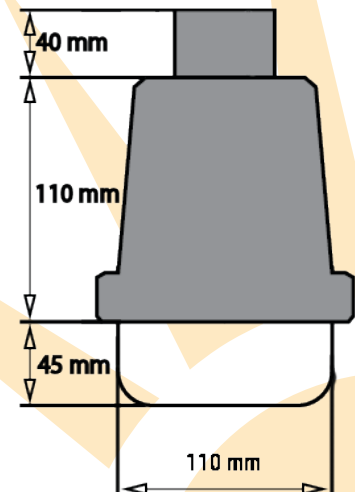
Polyamide 6 fixture housing with Polycarbonate cover milky, with integrated LED PCB plate 42 Volt.

Self-extinguishing , shock-proof and resistant to extreme temperatures. Cable entrance through cable gland M20. Possibility of mounting terminal Insulation Piercing Connector ( IPC ).

Ideal solution for lighting up Shipyards, Building and construction sites, tunnel-lighting etcetera.

Also possible to make in 24 Volt and 230 Volt. Housing could be made in every colour.

The total height of the fixture including the IPC is 195 mm. The height of the fixture without IPC is 155 mm.



[www.maxibel.nl](http://www.maxibel.nl)

