

LED Baylight Sophia

•GENERAL PROPERTIES

Lifespan	50.000 hour
Colour temperature	40.00 k
Luminous flux	14.250 Lumen
Beam Angle	105°

•ELECTRICAL PROPERTIES

Power	150 Watt
Voltage	AC 100-230 Volt
Frequency	50Hz/60Hz

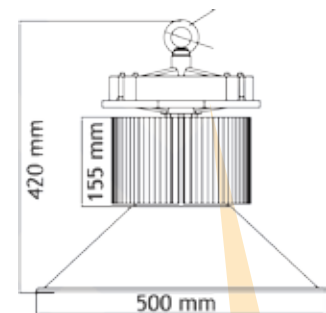
• PRODUCT INFORMATION

Article no.	16103006
Product name	LED Baylight Sophia
Protection rate	IP 65
Weight	9 Kg
Working environment	-30°C/50°C

•DIMENSIONS

Diameter	500 mm
Total length	477 mm

LED Baylight Sophia is designed for use in environments where a high quality is a standard, such as Shipyards, industries and construction sites. During development process input of our users is incorporated in the design. We can therefore guarantee high operational reliability. LED Baylight Sophia is tested by various European institutes and laboratories with excellent results.



www.maxibel.nl

